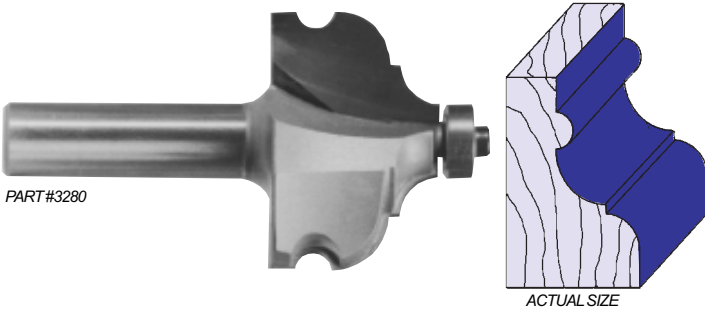


EDGE PROFILES

FRENCH PROVINCIAL MOLDING



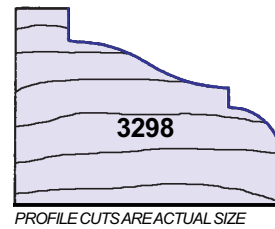
PART#3280

Part Number	Large Diameter	Cutting Length	Bead Diameter	Overall Length
1/2" SHANK				
3280	1 3/4"	1 1/8"	1/4"	3 1/8"

Bearing Number: B3

#3282 - See Cove & Bead Bits on Pg. 19.

CLASSICAL OGEE TABLE EDGE



PROFILE CUTS ARE ACTUAL SIZE

Part Number	Profile Width	Large Diameter	Cutting Length	Overall Length
1/2" SHANK				
3298	1"	2 1/2"	3/4"	2 1/2"

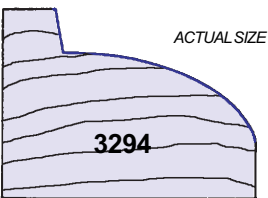
Bearing Number: B3



PART#3298

THUMBNAIL TABLE EDGE

3290
& 3292



ACTUAL SIZE

3294

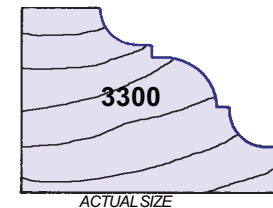


PART#3294

Part Number	Profile Width	Large Diameter	Cutting Length	Overall Length
1/4" SHANK				
3290	7/16"	1 3/8"	3/8"	1 7/8"
1/2" SHANK				
3292	7/16"	1 3/8"	3/8"	2"
3294	1"	2 1/2"	3/4"	2 1/2"

Bearing Number: B3

FRENCH BAROQUE TABLE EDGE



ACTUAL SIZE

3300

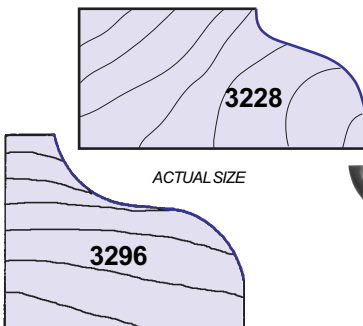


PART#3300

Part Number	Profile Width	Large Diameter	Cutting Length	Overall Length
1/2" SHANK				
3300	7/8"	2 1/4"	3/4"	2 1/2"

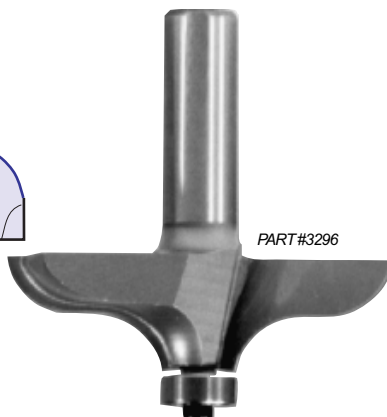
Bearing Number: B3

TRADITIONAL TABLE EDGE



ACTUAL SIZE

3296

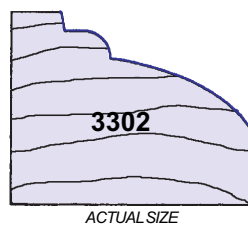


PART#3296

Part Number	Profile Width	Large Diameter	Cutting Length	Overall Length
1/2" SHANK				
3228	9/16"	1 5/8"	5/8"	2 1/2"
3296	1"	2 1/2"	3/4"	2 1/2"

Bearing Number: B3

THUMBNAIL & BEAD TABLE EDGE



ACTUAL SIZE

3302



PART#3302

Part Number	Profile Width	Large Diameter	Cutting Length	Overall Length
1/2" SHANK				
3302	1"	2 1/2"	3/4"	2 1/2"

Bearing Number: B3